

Use at a high level

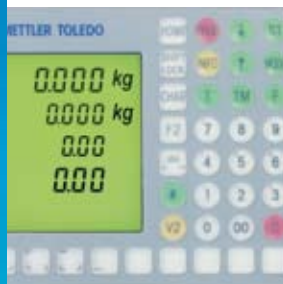
Professional Stainless Steel Hanging Scales



Prompt Information

bC retail scales can be fitted with LCD or high-resolution dot-matrix screens for displaying customer information clearly and at high contrast.

Dot-matrix display screens provide you with the option of easily displaying advertising art as part of your advertising activities.



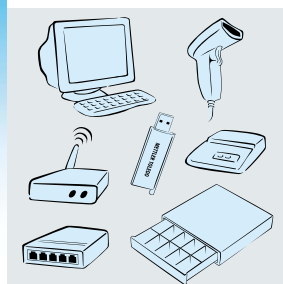
Light Touch Keypad

Thanks to proven METTLER TOLEDO Light Touch technology. The washable keyboard protector ensures the highest levels of work hygiene, free of residue and ensures the safety of handling fresh products. The individually configurable key fields can be labelled with ease.



Housings

The scale housing is made of durable stainless steel, which is resistant to hydrochloric and fatty acids. The smooth surface makes cleaning quick and easy. Since there are no sharp corners and edges, the safety of the customer is ensured.



Installation

The bC can be easily implemented in the customer environment and makes communication with several other devices possible. The wireless connection option provides you with a free choice of where to place the scale in your sales environment.



METTLER TOLEDO bC-H2

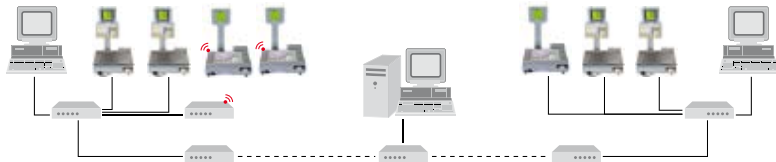
The hanging scale that increases sales!

The new generation of space-saving bC-H2 scales opens up valuable sales area. The simple and consistent operating philosophy in the bC line helps the operator easily find the way in his or her work environment. The ergonomic design makes operation amazingly efficient.

The new b line is designed for professional use. It ensures quick work of weighing and fast data communication within the network. The new bC can be used in nearly all fresh produce areas.

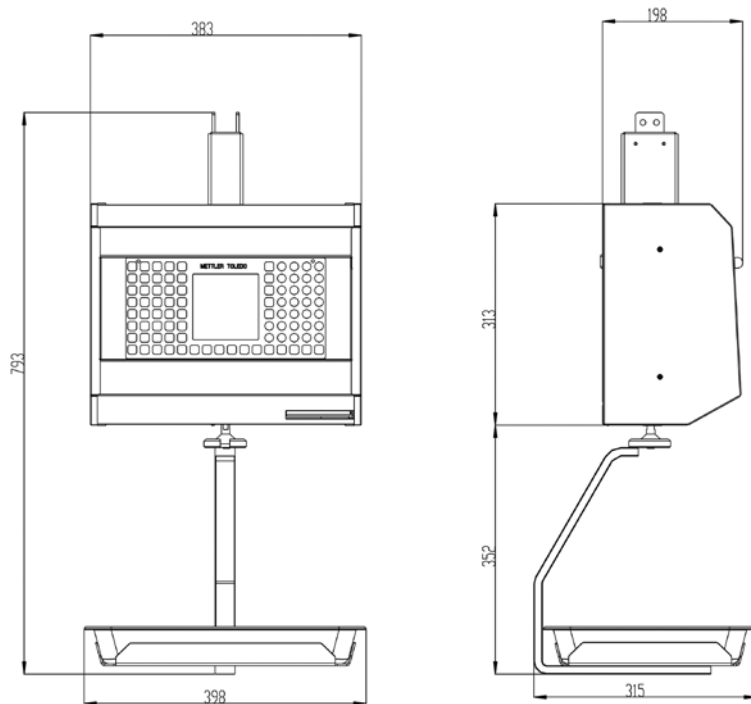
Capability Characteristics
METTLER TOLEDO bC-H2

- Ergonomic design – exceptional ease of use**
- High performance – increases quality of customer advice**
- Compact design – future-oriented investment**
- Easy network integration – many different usage scenarios**



Modern Networking

bC retail scales can be easily combined to form a practically boundless network. PC data processing facilitates the centralised control of network information flows.



Display

High-resolution back-lit LCD display
 5-character weight display
 5-character tare display
 7-character base price display
 7-character total price display
 12-character alphanumeric text line
 Optional: 240 x 240 dot-matrix display

Functions

Service function, cash register function, inventory function, bulk sales, self-service and training function, service function with receipt, label, label and total label, self-adhesive total receipts.

PC keyboard

Light Touch keypad
 86 keys in total, 30 function keys
 56 freely programmable fixed keys
 Easy maintenance thanks to patented, removable Light Touch keypad

Printer

2" print head for receipts/labels
 Thermal printer with speed of 125 mm/sec., logo printing on receipt and label
 10 freely definable labels, large number of predefined labels

Interfaces used

RJ45, Ethernet TCP/IP
 2 serial interfaces
 RJ11 connection for cash register drawers
 1 USB port
 Optional: Integrated IEEE802.11 b/g WLAN

Data storage and memory

4 MB application memory satisfies the most demanding speed requirements
 3 MB data memory with extensive options for expansion to a maximum of 32 MB

Security

Password logon for employees
 Electronic journal
 Pin code protection for price changes and sales reports

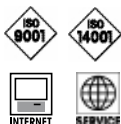
Reports

Daily, modifiable reports
 Reporting on two sales tiers
 Electronic journal
 Specific reports for individual employees, departments, categories, articles, price turnover report for specific periods

Weighing Range	15kg	6/15kg	12kg
Division	5g	2/5g	2g
Minimum load*	100g	40g	40g

Automatic zeroing

* EG: Printing is possible for the minimum load, however not when labelling.



Quality certificate ISO9001
 Environmental certificate ISO14001
 Internet: www.mt.com
 Worldwide Service

Subject to technical changes
 © 08/2007 Mettler-Toledo GmbH
 Printed in Germany 22016156
 MCG MarCom Greifensee

www.mt.com/retail

More information